

Rack Panel Kit

Installation Instructions

Model RPK 005 Single Rack Panel Kit
 Model RPK 006 Dual Rack Panel Kit
 For use with Williams Sound 1/2 rack products

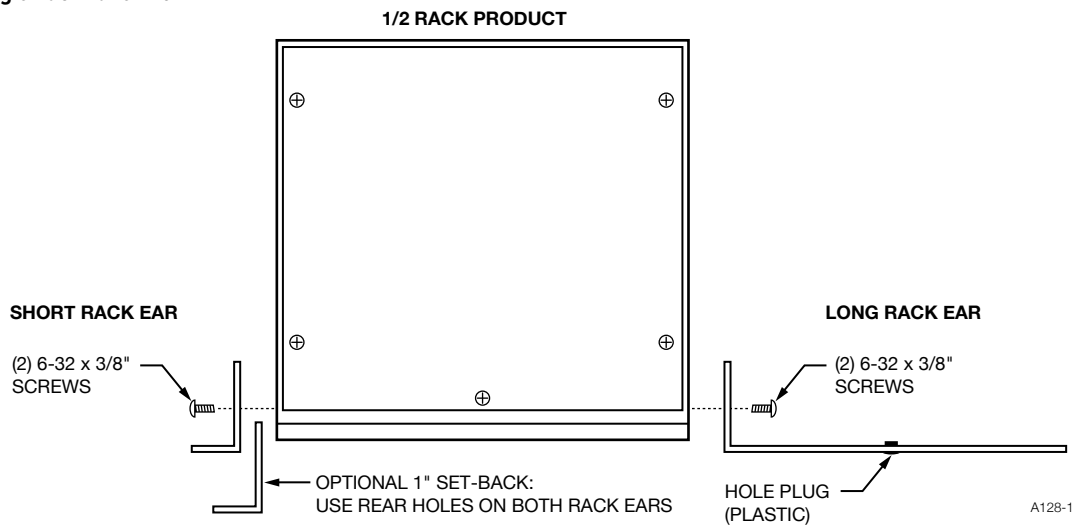


RPK 005



RPK 006

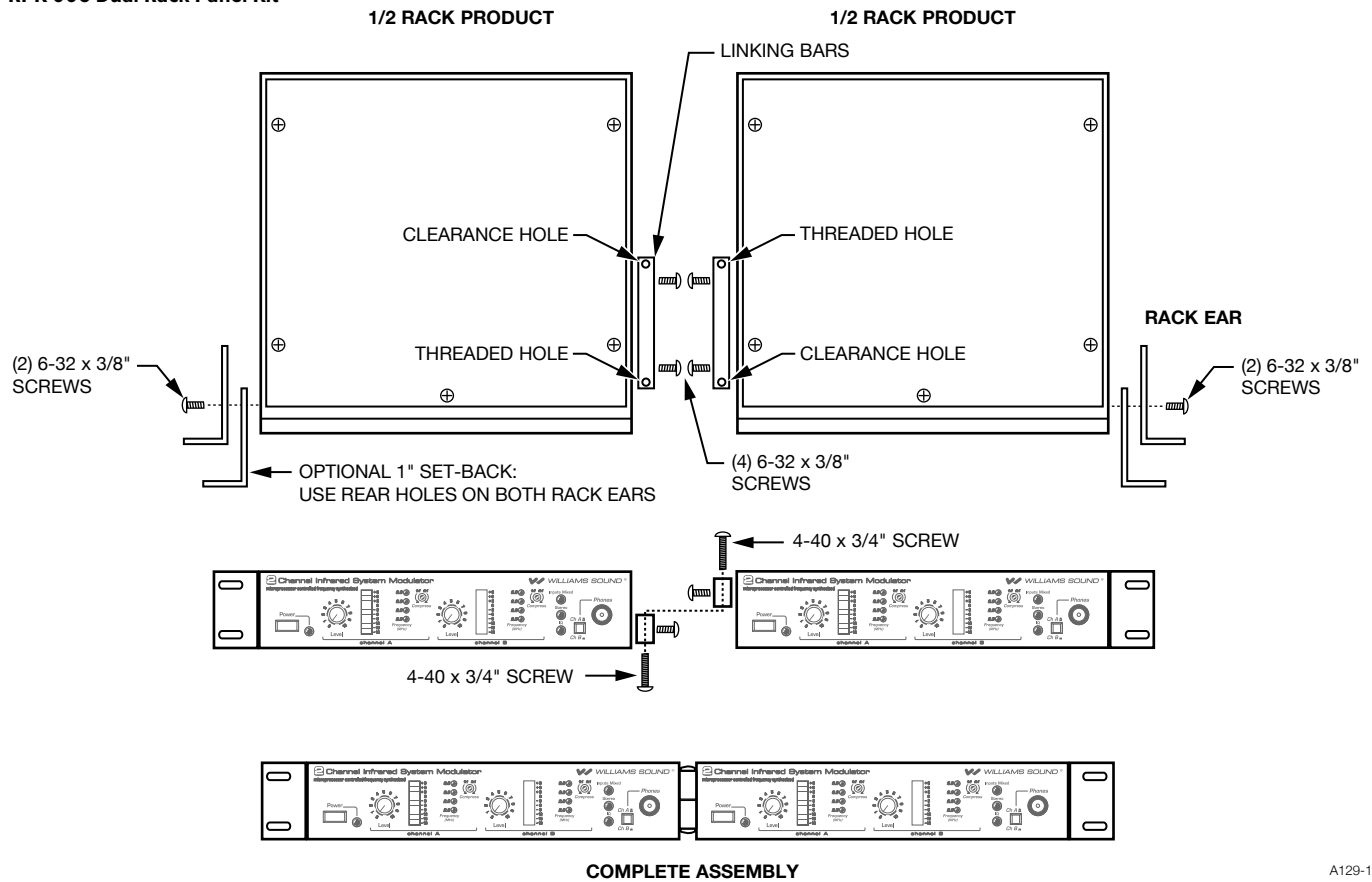
RPK 005 Single Rack Panel Kit



RPK 005 Installation Steps

1. Attach the short and long rack ears as shown with four 6-32 x 3/8" machine screws. Use the front set of holes on the rack ears for a flush mount. Use the rear set of holes on the rack ears for a 1" recessed mount.
2. Attach the rack panel assembly to the rack with the machine screws and nylon washers provided.

RPK 006 Dual Rack Panel Kit



A129-1

RPK 006 Installation Steps

1. Attach the short rack ears as shown with four 6-32 x 3/8" machine screws. Use the front set of holes on the rack ears for a flush mount. Use the rear set of holes on the rack ears for a 1" recessed mount.
2. Attach the linking bars to each 1/2 rack unit as shown with four 6-32 x 3/8" machine screws. Be sure to install the linking bars so the clearance hole in one bar is next to the threaded hole in the other.
3. Place the two 1/2 rack units together, so the linking bars overlap. Use two 4-40 x 3/4" machine screws to tie the linking bars together, as shown in the lower drawing.
4. Attach the rack panel assembly to the rack with the machine screws and nylon washers provided.

Recycling Instructions



Help Williams AV protect the environment! Please take the time to dispose of your equipment properly.

Product Recycling for Customers in the European Union:

Please do NOT dispose of your equipment in the household trash. Please take the equipment to a electronics recycling center.

WILLIAMS AV

info@williamsav.com / www.williamsav.com

800-843-3544 / INTL: +1-952-943-2252

© 2019, Williams AV, LLC MAN 047J