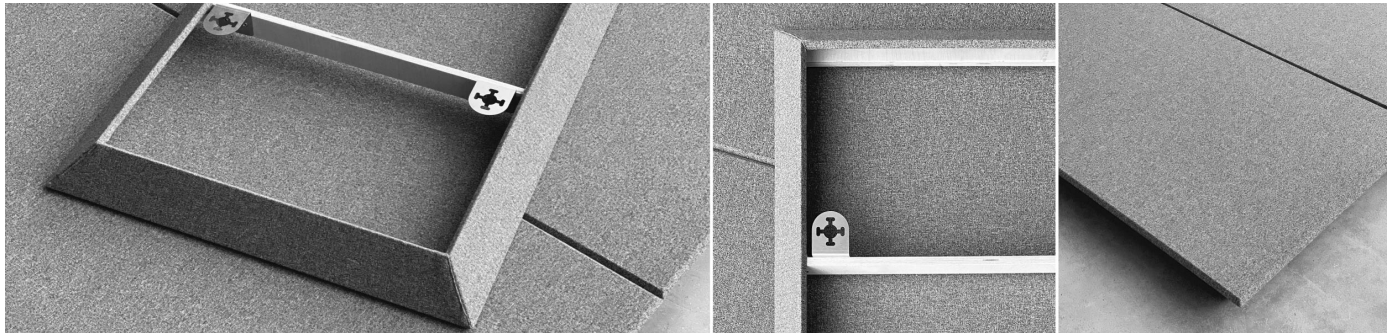


# Sparta RCT - Speaker Cover



Sparta is an acoustic panel with a simple design, that provides a broadband absorption range.

Sparta is aimed for people who want to maintain neutral aesthetics in their home cinema, but require a proper acoustic solution. In line with this concept, Artnovion also created a visually identical solution that allows for speaker integration.

This product is the result of extensive research and development into acoustically transparent fabrics, to create a speaker cover solution with minimal interference to the speakers' response pattern.

## Features

Acoustic Transparent Weave Fabric

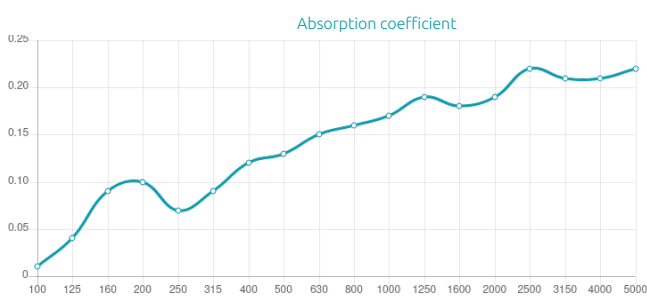
## Purpose

- Hiding Loudspeakers
- Provide continuous design

## Recommended for

- Home Theatre
- Living Room

## Performance



This product is available in the following Fire Rate:

FG | Furniture Grade

### PRODUCT COMPOSITION:

Sparta RCT - Speaker Cover | Weave Fabric Finish (FG)

- Acoustic Weave Fabric
- Structural frame

\* Weave Fabric

100% Polypropylene

Certified to the EU Ecolabel

Certified to Indoor Advantage™ Gold

EN 13501-1 - Class B, s2, d0

Light Fastness - 6 (ISO 105 - B02)

Fastness to Rubbing - Wet: 4, Dry: 4 (ISO 105 - X12)

Cleaning - Vacuum regularly, wipe with a damp cloth using a proprietary upholstery shampoo/soap. For deeper cleaning, use bleach or alcohol.

Compatible with built-in speakers up to the following sizes:

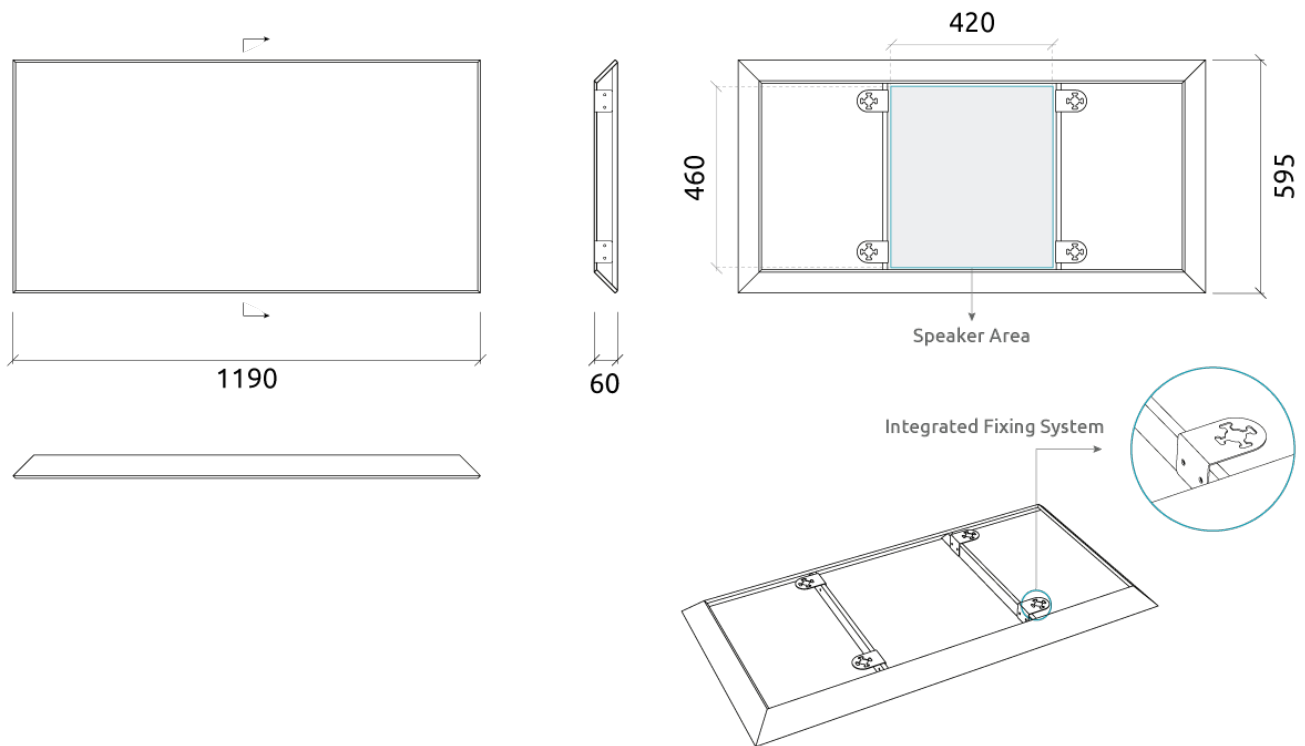
Vertical panel - 460 x 420 mm

Horizontal panel - 420 x 460 mm

Dimensions:

Sparta RCT - Speaker Cover | 595x1190x60mm

# Dimensions



## Add-ons

### Dimensions

FG - WF | 1190x495x60mm

### Weight

3.26 Kg

### Box

Quantity per box: 4

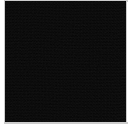
Dimensions: 1235x255x655mm

Volume: 0.206m<sup>3</sup>

Weight: 15.3Kg

## Sparta RCT - Speaker Cover

### (FG - WF) Weave Fabric Finishes



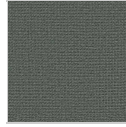
**FG | (TC240) Black**

Retail code:  
051021580042401



**FG | (TC241) Lerwick**

Retail code:  
051021580042411



**FG | (TC242) Merrick**

Retail code:  
051021580042421



**FG | (TC243) Lead**

Retail code:  
051021580042431



**FG | (TC245) Glass**

Retail code:  
051021580042451



**FG | (TC246) Easdale**

Retail code:  
051021580042461



**FG | (TC247) Walton**

Retail code:  
051021580042471



**FG | (TC248) Vit**

Retail code:  
051021580042481



**FG | (TC250) Beltane**

Retail code:  
051021580042501



**FG | (TC251) Shetland**

Retail code:  
051021580042511



**FG | (TC256) Tummel**

Retail code:  
051021580042561



**FG | (TC257) Pitlochry**

Retail code:  
051021580042571