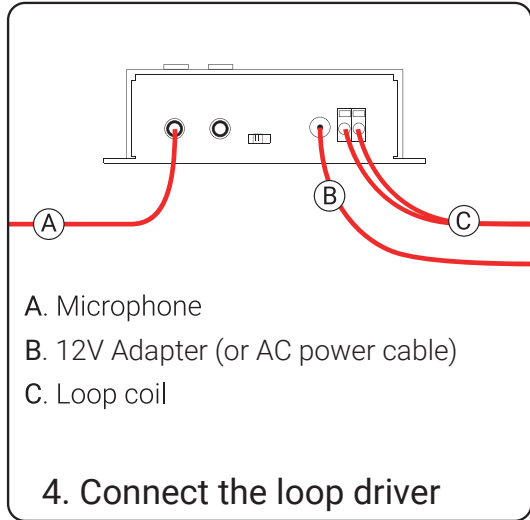
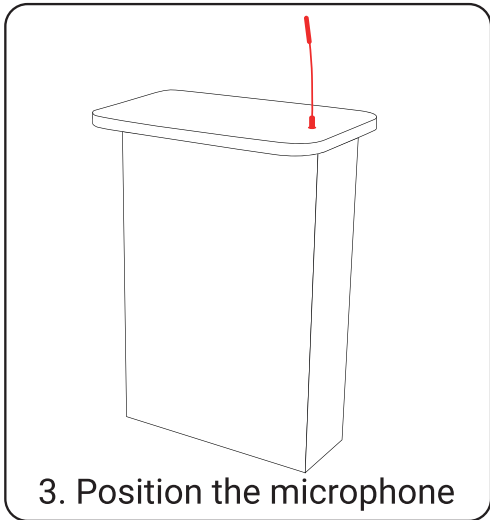
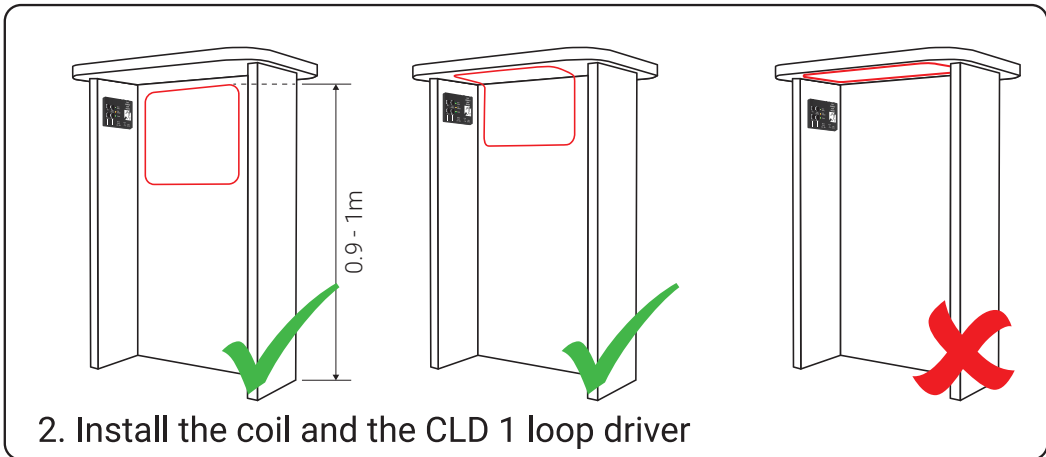
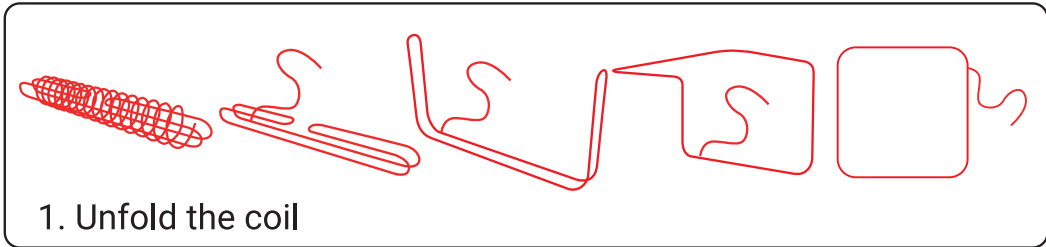


CLD1, CLD1AC Quick start guide



AMPETRONIC
CLD 1
COMPACT
LOOP
DRIVER

Designed and engineered in the UK

MLC
LOOP CURRENT
INPUT 1
INPUT 2

INPUT SIGNAL
LOOP CURRENT
POWER

INPUT 2 SELECT Line - Mic
DC IN 12V
LOOP OUTPUT 1.0A

- Power LED should be on
- Input signal and loop current indicators should light up when someone talks into the microphone
- If not, adjust Input 1 and Loop Current controls

5. Check for power and loop current

FSM
IEC60118-4 FIELD STRENGTH METER

Frequency response: Flat to 14kHz
Field strength: 0 to 120dB
Background Report 1: > 20dB noise

AMPETRONIC

R1

6. Commission to standard with an FSM or R1