

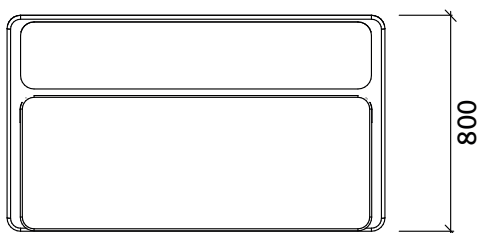
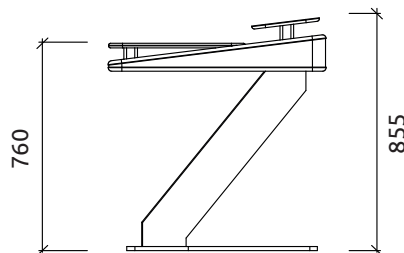
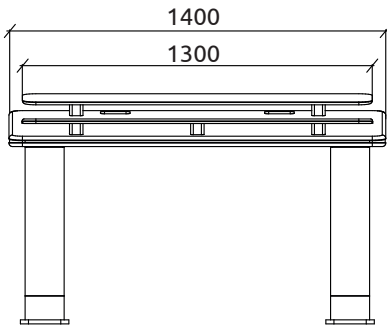
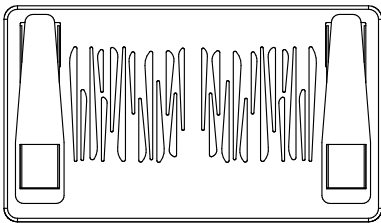
## Antares Mastering Desk

### Description

The Antares Mastering Desk is the latest in studio furniture, combining an ergonomically optimised design with acoustic performance. The desk is equipped with a high performance acoustic core, built with calibrated combination of foam densities in its core, that balance the reverberation response of your room. The Antares Mastering Desk was designed with a studio setup in mind, with a dedicated screen area, and a lower and broad area for the keyboard and mixing gear, all with built-in cable management. The desk fully customisable in terms of finishes, with a large range of premium wood, fabric and metallic options.



### Technical Information



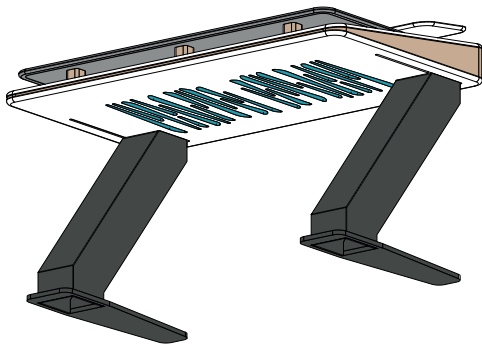
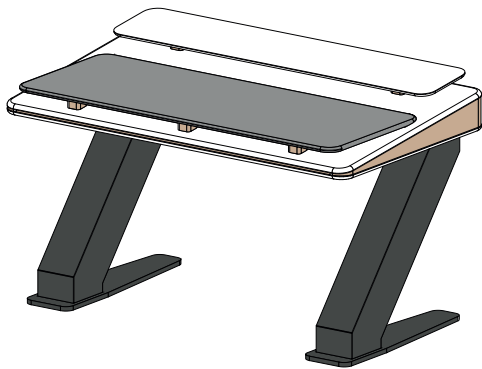
### Features

- Acoustically optimised surfaces
- Ergonomic Design
- Decoupled Monitor Supports
- Hidden Cable Management

### Dimensions:

1400x800x855mm

## Finish Details



- Primary Finish
- Detailing Finish
- Faux Leather Finish
- Suede Fabric Finish
- Leg Finish - Matte Black (non-customisable)

## Preset



Preset 1  
Gloss White | Grey Aluminium |  
Pure White | Ink Black



Preset 2  
Noir Vintage | Bronze |  
Schwarz | Snow White



Preset 3  
Noir Vintage | Noir Vintage |  
Pure White | Snow White



Preset 4  
Graphite Black | Bronze |  
Schwarz | Snow White



Preset 5  
Matallic White | Grey Aluminium |  
Pure White | Ink Black

### Primary Finish

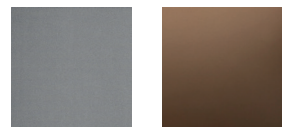


Gloss White    Noir Vintage



Graphite Black    Metallic White

### Detailing Finish



Grey Aluminium    Bronze



Noir Vintage

### Faux Leather Finish



Pure White    Schwarz

### Suede Finish



Snow White    Ink Black