

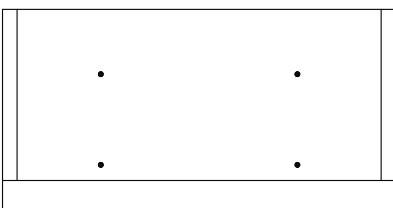
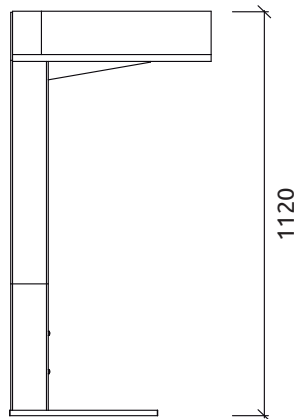
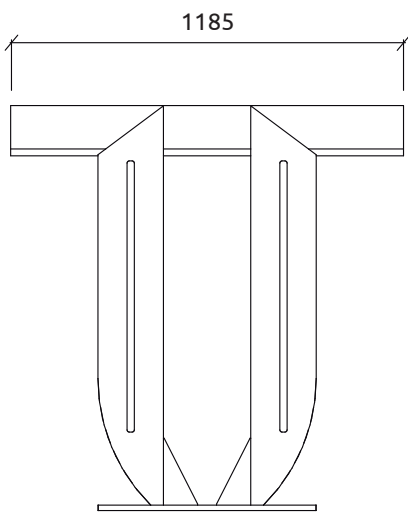
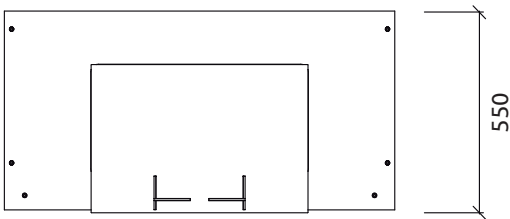
## DJ Booth

### Description

The DJ booth is the ultimate DJ station. Created by the master studio designer, Jan Morel. The perfect solution for housing your gear, with hidden cable management and fully customised finishes in premium wood, fabric and metallic options.



### Technical Information



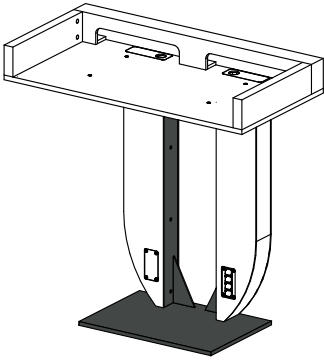
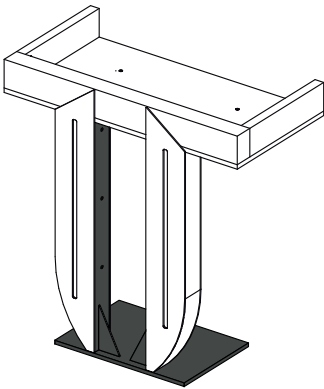
### Features

- Ergonomic design
- Integrated equipment slots
- Hidden Cable Management

### Dimensions:

1185x550x1120mm

## Finish Details



- Primary Finish
- Leg Finish - Matte Black (non-customisable)

## Preset



Preset 1  
Gloss White



Preset 2  
Bronze



Preset 3  
Noir Vintage

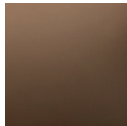


Preset 4  
Wengue Natura

## Primary Finish



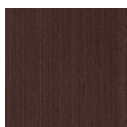
Gloss White



Bronze



Noir Vintage



Wengue Natura