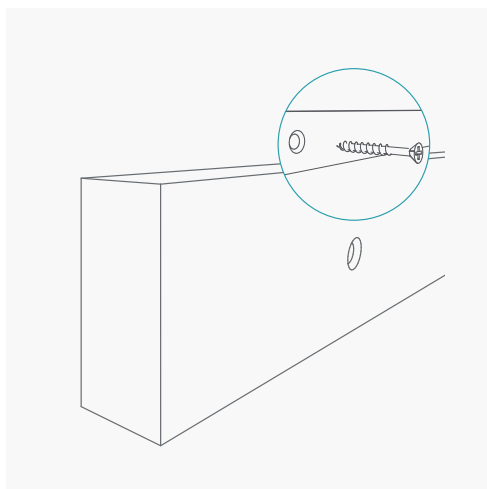


Panelling Batten Fixing System



The Panelling Batten has been designed to be compatible with panelling range and to be installable on any surface. Engineered with performance and ease of installation as top priorities. Focused on time saving these battens also feature pre-drilled holes to facilitate installation and can be painted or sealed on-site. These battens are dimensioned for either vertical or horizontal installation layouts, whichever is more suited to your space.

To install panelling range products, simply screw the panel in place, through the available holes or slats, into the battens beneath. Making a professional installation be easier than ever.

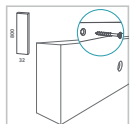
Product Composition

- Wood

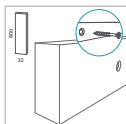
Disclaimer:

- M5 x 50mm wood screw (3 per batten)

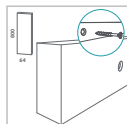
Finishes



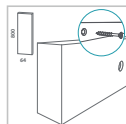
**800x32 | FG
Panelling Batten
Edge**



**800x32 | FR
Panelling Batten
Edge**



**800x64 | FG
Panelling Batten
Join & Center**

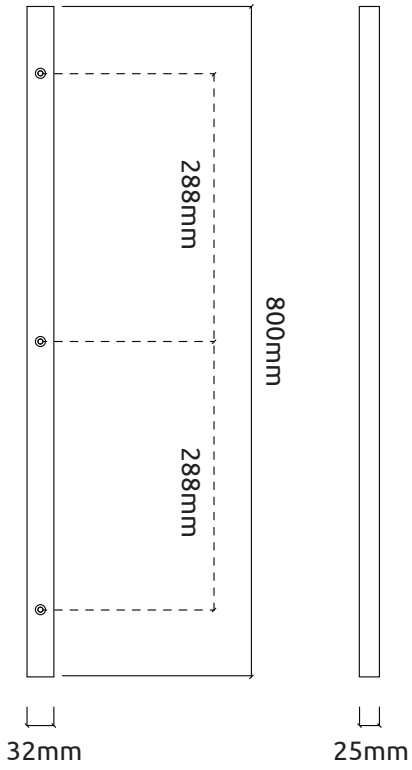


**800x64 | FR
Panelling Batten
Join & Center**

Dimensions



Panelling Batten Edge | 800x32x25mm



Panelling Batten Join & Center | 800x64x25mm

